

FIT Guidelines

FORAGER XL

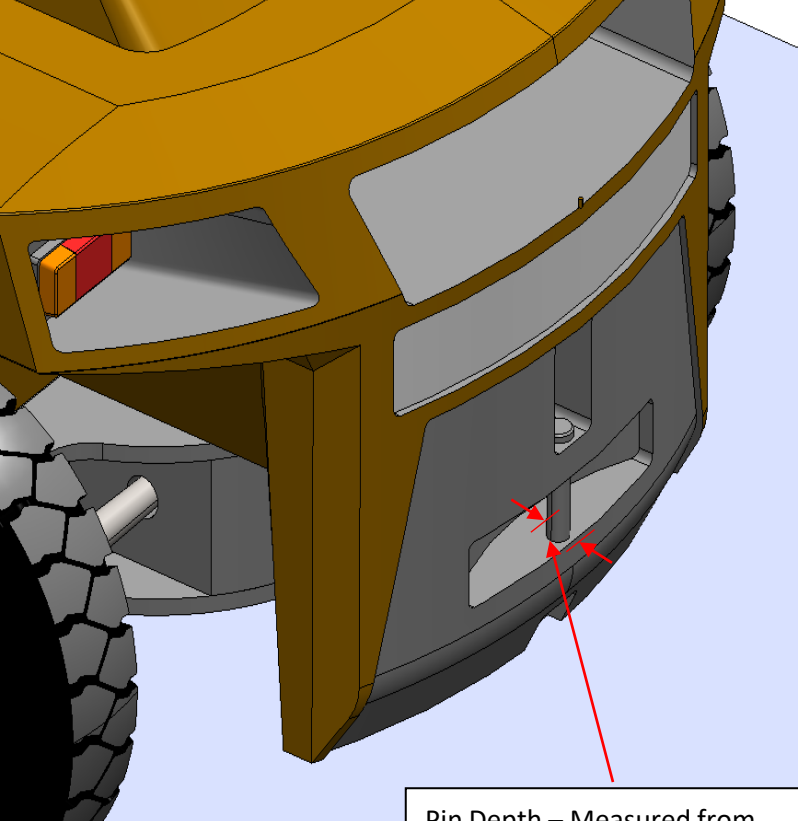


Bluestreakequipment MAGNETICS
APPLICATION DRIVEN DESIGN

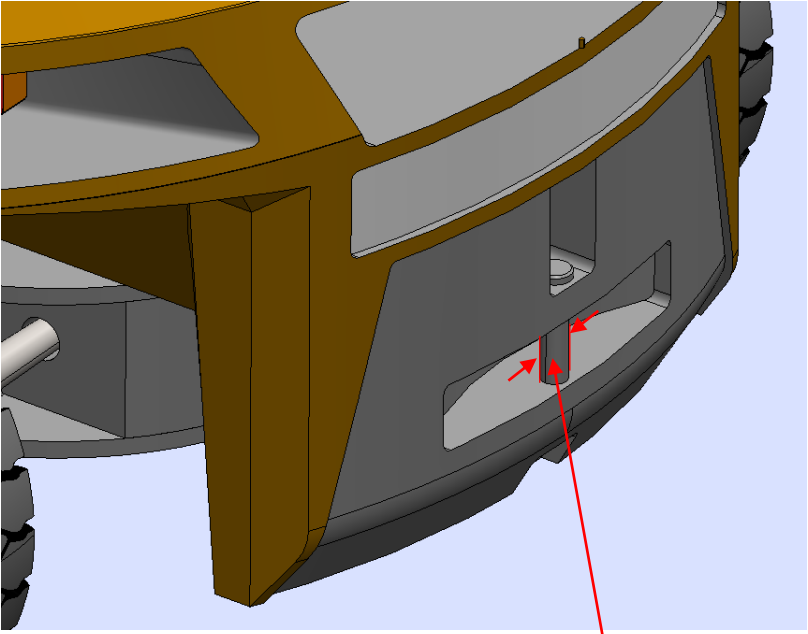
Bluestreak Equipment
1645 Hwy #3, Delhi, Ontario, Canada N4B 2W6

Forager XL FIT Guidelines

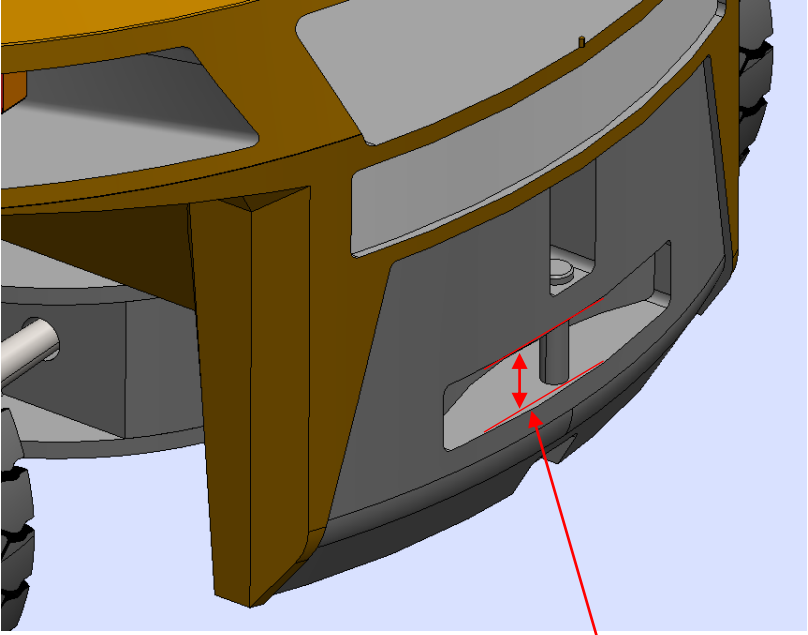
To ensure the Forager XL will fit your Forklift measure these 6 dimensions on your forklift and compare them to the Min and Max measurements allowable in the table below:

| Forklift Dimension | Min | Max |
|--|--------|-----------|
| <p>1) Pin Depth - Measured from the back edge of the forklift at the PIN slot to the furthest back edge of the PIN hole</p>  <div data-bbox="536 1547 929 1734" style="border: 1px solid black; padding: 5px; margin-top: 10px;"> <p>Pin Depth – Measured from the back edge of the forklift at the pin slot to the furthest back edge of the pin hole.</p> </div> | 2 inch | 12.5 inch |

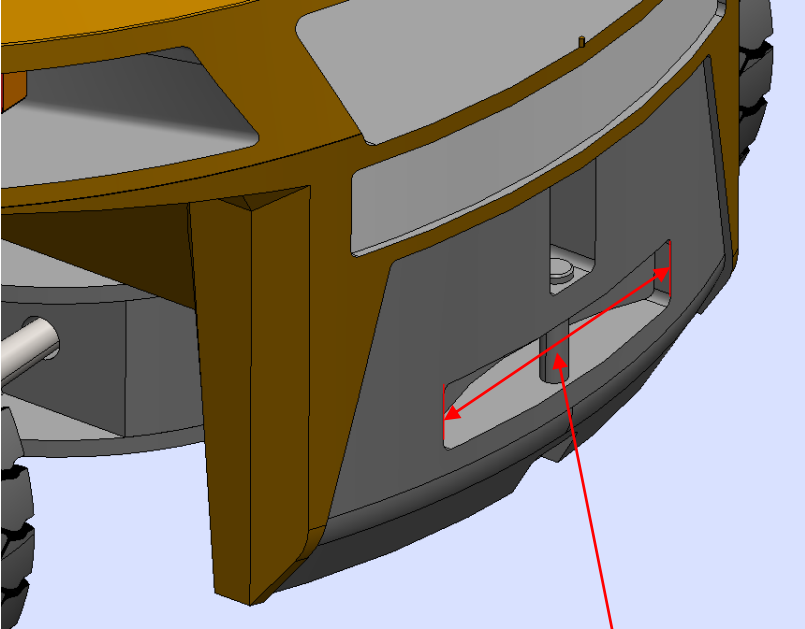
Forager XL FIT Guidelines

| Forklift Dimension | Min | Max |
|---|------------|--------|
| <p>2) Pin Diameter – which is the diameter of the forklift PIN</p>  <p data-bbox="529 1244 919 1348">Pin Diameter – The diameter of the forklift pin.</p> | 0.625 inch | 3 inch |

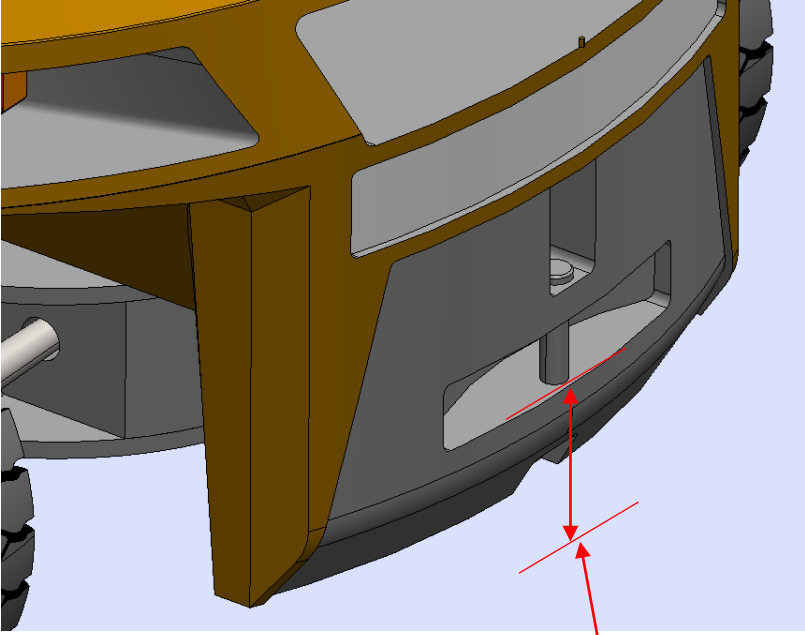
Forager XL FIT Guidelines

| Forklift Dimension | Min | Max |
|--|-------------------|------------------|
| <p>3) Pin Slot Height – which is the measured height of the PIN slot from top to bottom</p>  <div data-bbox="536 1329 929 1483" style="border: 1px solid black; padding: 5px; margin-top: 10px;"> <p>Pin Slot Height – which is the measured height of the PIN slot from top to bottom.</p> </div> | <p>2.375 inch</p> | <p>12.5 inch</p> |

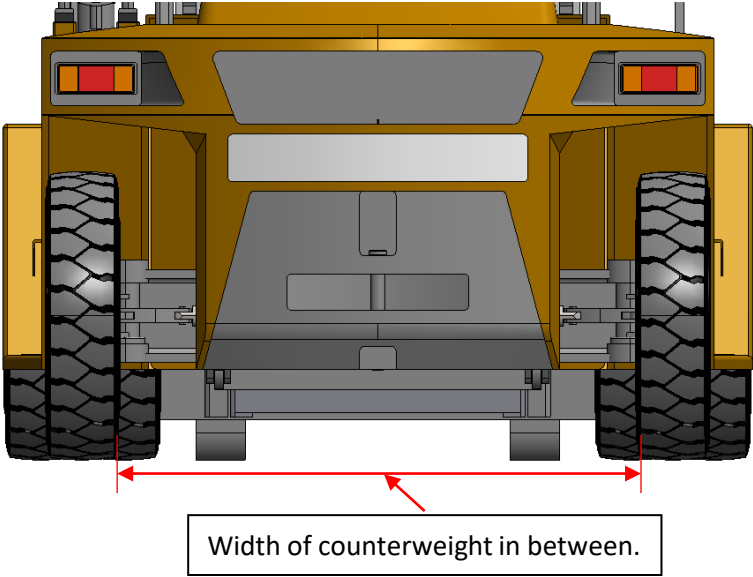
Forager XL FIT Guidelines

| Forklift Dimension | Min | Max |
|--|------------------|---|
| <p>4) Pin Slot Width – which is the measured width of the PIN slot from side to side at the back of the forklift</p>  <div data-bbox="529 1248 922 1435" style="border: 1px solid black; padding: 5px; margin-top: 10px;"> <p>Pin Slot Width – which is the measured width of the PIN slot from side to side at the back of the forklift.</p> </div> | <p>6.25 inch</p> | <p>No restriction on Pin Slot Width Maximum</p> |

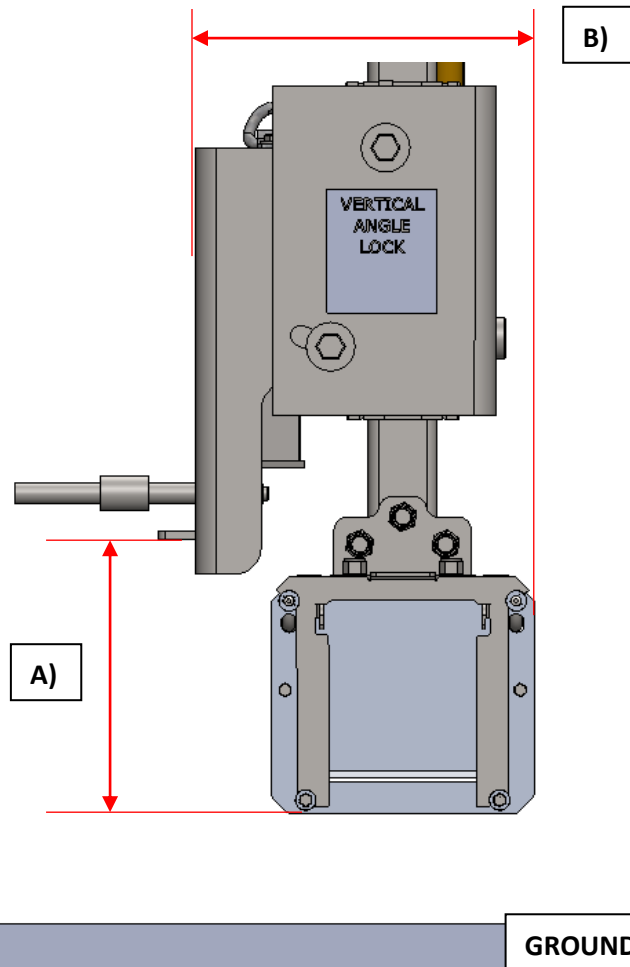
Forager XL FIT Guidelines

| Forklift Dimension | Min | Max |
|---|--|--|
| <p>5) Height from bottom of Pin Slot to Ground Level – measure up from the ground to bottom edge of the pin slot</p>  <div data-bbox="529 1325 919 1512" style="border: 1px solid black; padding: 5px; margin: 10px auto; width: fit-content;"> <p>Height from Bottom of Pin Slot to Ground Level – The distance from ground level to bottom edge of the pin slot.</p> </div> | <p>13 inch (equals dimension A below plus 4 inches to provide minimum recommended sweeping height of 4 inches). This minimum dimension would result in a magnet sweeping height of 5 inches off the ground, but the furthest most edge of the Quick Clean Off Sleeve would be 4 inches off the ground.</p> | <p>39 inch (equals dimension A below plus 6 inches to provide maximum recommended sweeping height of 6 inches). This maximum dimension would result in a magnet sweeping height of 7 inches off the ground, but the furthest most edge of the Quick Clean Off Sleeve would be 6 inches off the ground.</p> |

Forager XL FIT Guidelines

| Forklift Dimension | Min | Max |
|--|---------|---|
| <p>6) Width of counterweight in between the wheels</p>  <p>We recommend choosing the width size of the Forager XL that is closest to the width of the counterweight on your forklift at the bottom, but not over this width. This will ensure you maintain the maneuverability of your forklift by ensuring the magnet doesn't "stick out" to far into the back corners of your forklift. The Forager XL comes in 31, 39, and 47 inch width sizes. Therefore, if the width of your counterweight is 36 inches, choose the 31 inch model size instead of 39 inch model. You may be tempted to buy the widest model you can, but remember, with the Forager XL mounted on the forklift you are going to be sweeping all the time whenever you use the forklift therefore width isn't quite as important because you don't have to cover the area in one pass. It's also normal that forklifts don't travel exactly in the same path each and every time, therefore all parts of your grounds will likely get swept for debris because of this. You also want to maintain the maneuverability of your forklift to get into tight places in some cases, therefore you don't want it to be too wide and have the magnet "stick out" too far in the back corners of your forklift when you turn. This is why we recommend choosing a model width that isn't wider than the width between your rear forklift tires.</p> <p>However, use your best judgement in selecting a model width that you believe will work best for you. For example, if you're not concerned about forklift maneuverability in tight places because your forklift operates outside in large areas then you may determine what size we would recommend and go one size bigger. Conversely, if you ARE concerned about forklift maneuverability, then you may determine what size we would recommend and go one size smaller. When choosing a width size, we recommend determining that size and then going to your forklift and seeing what that size would look like on the back of your forklift by measuring out that distance across the back of your forklift. While doing this also remember to measure out from the back of your forklift by measurement B below so that you get a true sense of where the ends of the magnet will be positioned.</p> | 36 inch | No restriction on maximum width of counterweight in between |

Forager XL FIT Guidelines



| Forager XL Dimensions | | Minimum | Maximum |
|-----------------------|--|---|---|
| A) | Height from bottom of Pin Slot to bottom most edge of magnet Quick Clean Off Sleeve | 9 inch (this dimension is adjustable on the Forager XL and this is the minimum retracted dimension, see CAD drawings for further details) | 33 inch (this dimension is adjustable on the Forager XL and this is the maximum extended dimension, see CAD drawings for further details) |
| A) | Width from back of forklift at Pin location to furthest most outside back edge of Forager XL | 12.5 inch (this dimension is the addition to the overall length of the forklift resulting from the Forager XL installation, see CAD drawings for further details) | 12.5 inch (this dimension is the addition to the overall length of the forklift resulting from the Forager XL installation, see CAD drawings for further details) |